

WHOLE HOUSE SOLUTION MAX SYSTEM QUICK SETUP GUIDE



Thank you for choosing the APEC Whole House Solution Max System.
You now own one of the finest and most complete whole house
water purification systems in the world.

Please read and become familiar with instructions and parts needed before proceeding with the
installation.

General Installation/Operation/Maintenance Requirements

For Whole House Max Water Filter System & Futura Salt Free Water Conditioner

- Use a Licensed Plumber to Install these products.
- Check with your state and local public works department for plumbing and sanitation codes. You must follow these guidelines as you install the whole house water filter.
- DO NOT use with water that is microbiologically unsafe or of unknown quality without adequate disinfecting before or after.
- This water filter system will withstand up to 90 psi water pressure. If your house's water pressure is higher than 90 psi, install a pressure reducing valve before the system is installed.
- DO NOT install the water filter system in an outside location or anywhere it will be exposed to direct sunlight or very cold weather temperature.
- Manufacturer warranty can be voided if the installation requirements above are not met.

BEFORE INSTALLATION:

Inspect the system

Please take the system and all the components out of the box. Inspect the system and all the connection fittings carefully, make sure nothing is damaged during shipping. If any part is cracked or broken, please do not proceed with the installation and contact APEC or your distributor for an exchange or diagnosis.

System Placement Guide

①

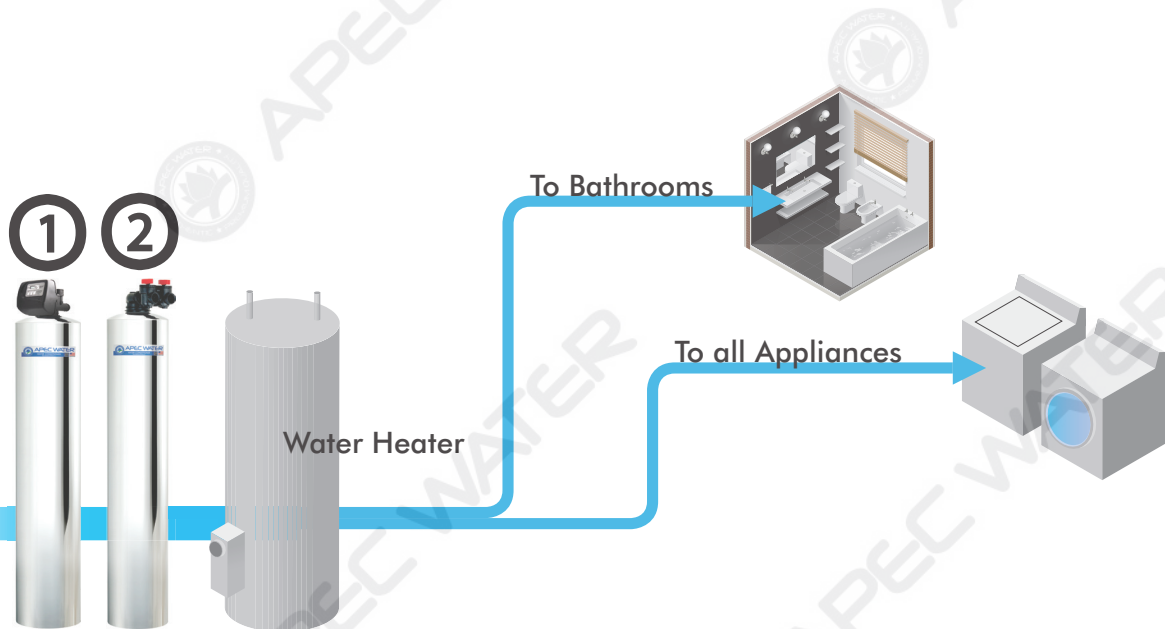
Whole House Max Water Filter System

Install at point of entrance location.
Must be installed before the salt-free water conditioner

②

Futura Salt-Free Water Conditioner

Must be installed after whole house water filter system & before water heater



GET TO KNOW YOUR SYSTEM:

The Whole House Solution Max is a multi-stage system made up of two specialized water purification units which include a whole house water filter system and whole house water conditioner. Please read the guide below to get a basic understanding of the different individual systems in your Whole House Solution Max package.

①



Stage 1: WHOLE HOUSE MAX WATER FILTER SYSTEM

The Whole House Max Water Filter System removes chlorine, chloramines, sediment and odors from the water throughout your entire home. You will be able to remove allergy causing chemicals, prevent dry sensitive skin and enjoy spa quality water at every faucet. This primary whole house filter should be installed first, just after the main water valve to treat water at the entry point going into your home.

(Please see Whole House Max Water Filter System manual for installation).

②



Stage 2: FUTURA SALT-FREE WATER CONDITIONER

The FUTURA whole house water conditioner provides naturally soft water without using salts or chemicals. Benefits include reduced hard water scale for long-lasting appliances and pipes, minimized water spots for easier cleaning, and softer skin and smoother hair. This unit is the 2nd stage system and it should be installed right after the Whole-House-Max but ahead of your existing water heater in the garage or basement.

(Please see Futura System manual for installation).

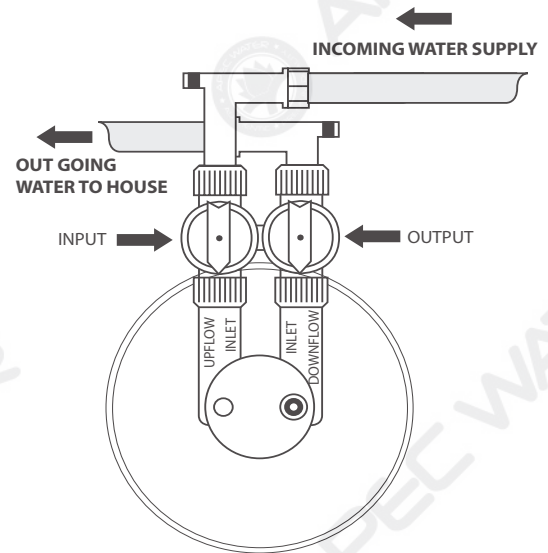
(Note: This is only a basic introduction to the Whole House Solution Max System's features and setup. For complete installation information, please refer to the installation manual that is provided for each individual system).

QUICK INSTALLATION DIAGRAM for Whole House Max & Futura System

Pre Installation Preparation:

For Futura Salt Free Water Conditioner

The media in the Futura is recommended to be soaked by water for 15 to 20 minutes before usage. The salt free ceramic media has already been placed in the Futura media tank by the manufacturer. Place the Futura Conditioner at the location of installation, as the tank will be heavy to move once filled with water. Once the system input/output connections are connected, please turn on the incoming water supply to fill the Futura Conditioner and soak the media for 15-20 minutes before using water at the home.

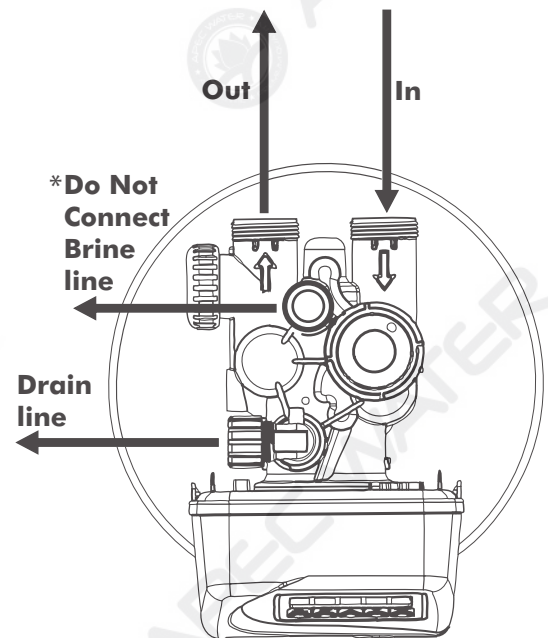


For Whole House Max Water Filter System

The media in the Whole House Max Water Filter System does not have to be pre soaked, however after the Whole House Max is installed, please **manually backflush** the unit once before use. The head has been factory pre programmed to regenerate once a week, but you can set the regeneration time to your preference. You basically will just need to set up the time of day. Please refer to pages 5-6 to manually backflush the unit and general setup.

Please note: The control head of the Whole House Max only requires 3 connections. Inlet, Outlet and Drain Line.

You **DO NOT** connect the Brine Line. The Brine line is only used when salt is needed like in a water softener application.



Determine Installation Location For Installing Both Units:

- An electrical outlet will be required for the (WTS) Whole House Max System, but not the Futura Water Conditioner.
- Do Not install the units with less than 5 feet of piping between its outlet and the inlet of the water heater.
- Do Not install the units where the location is subjected to room temperatures under 34 degrees Fahrenheit.
- The tanks should be on a firm, level surface.

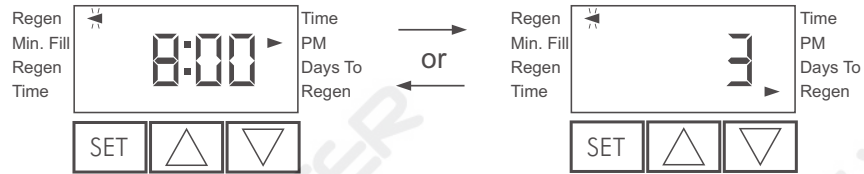
SETTING UP TIMER CONTROL VALVE

GENERAL OPERATION

When the system is operating one of two displays will be shown: time of day or days until next regeneration.

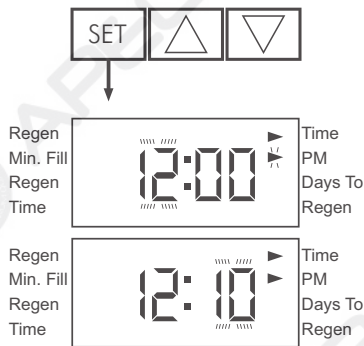
Pressing ▲ or ▼ button will toggle between the two choices.

Arrow will point to Regen if a regeneration is expected "Tonight."



TO SET TIME OF DAY

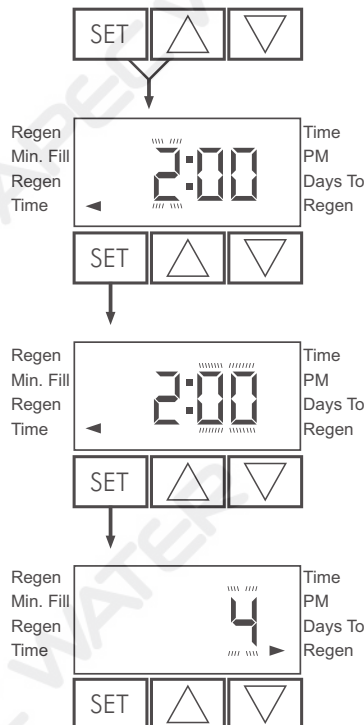
In the event of a prolonged power outage, time of day flashes, indicating that it needs to be reset. All other information will be stored in memory no matter how long the power outage. Please complete the steps as shown to the right. To access this mode, press "Set."



1. Accessed by pressing SET for approximately 3 seconds.
2. Adjust hour with ▲ or ▼. With 60 Hz line frequency detection on power-up, timekeeping is 12 hour with PM indicator. With 50 Hz line frequency detection on power-up, timekeeping is 24 hour without the PM indicator. Press SET to go to the next step.
3. Adjust minutes with ▲ or ▼.
4. Press SET to complete and return to normal operation.

TO SET TIME OF REGENERATION AND DAYS BETWEEN REGENERATION

For initial set-up or to make adjustments, please complete the steps as shown. Access this mode by pressing SET and ▲ for approximately 3 seconds. The number of days between regenerations may need to be varied based on usage and water conditions. (This step will not appear if the 7-day clock option is selected.)

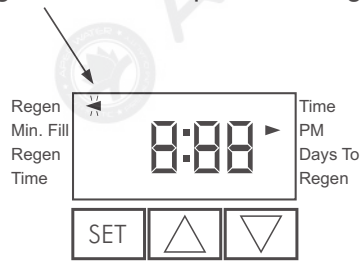


1. Accessed by pressing SET and ▲ simultaneously for about 3 seconds.
2. Set Regeneration Time Hour. Set the time for regeneration to start. Press SET to go to the next step.
3. Set Regeneration Time Minutes. Press SET to go to the next step.
4. Set number of Days between regeneration cycles.
5. Press SET to complete and return to normal operation.

MANUAL REGENERATION

NOTE: If you need to initiate a manual regeneration, either immediately, or tonight at the pre programmed time (typically 2 a.m), complete the following steps.

Arrow will point to Regen if a regeneration is expected "Tonight."



For Immediate Regeneration:
Press and hold ▲ and ▼ simultaneously until valve motor starts (typically 3 seconds).

For Regeneration Tonight:
Press and release ▲ and ▼ simultaneously (notice that arrow points to Regen).

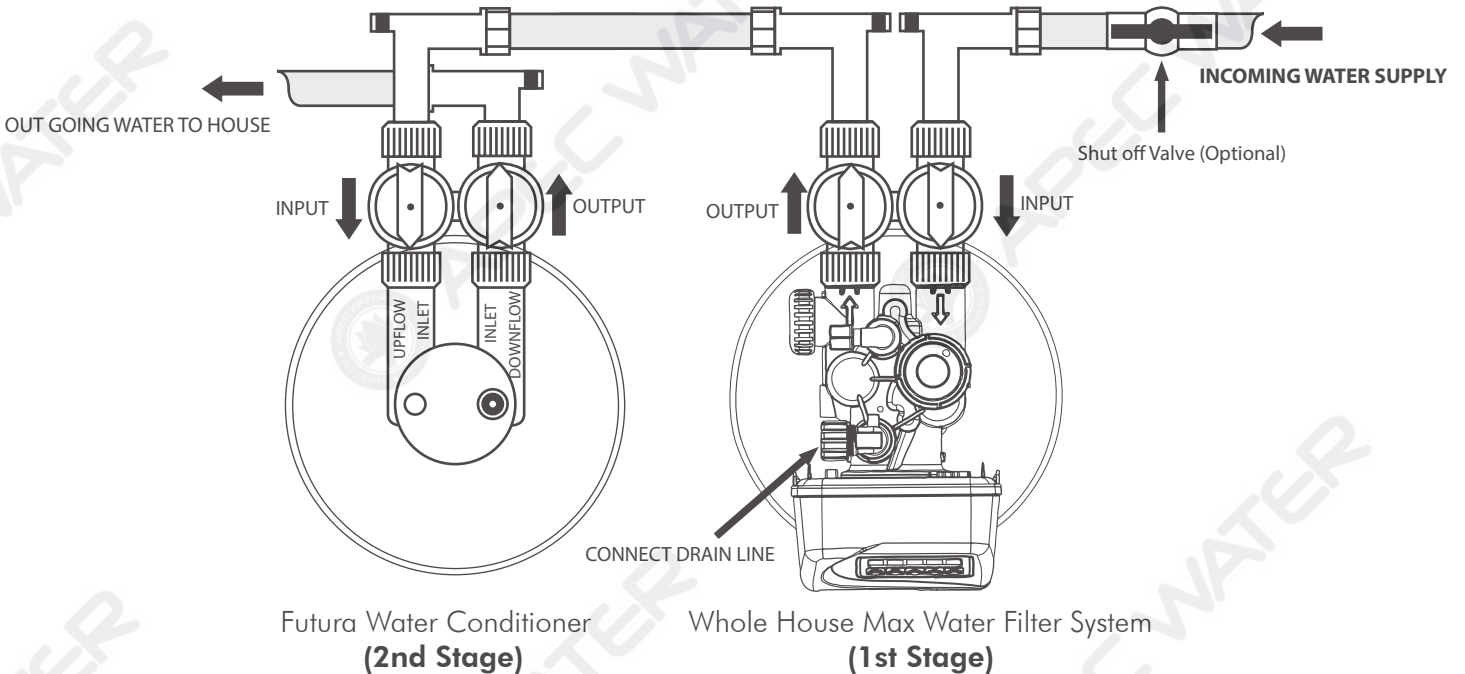
ERROR MESSAGES

If the display shows "E1," "E2," "E3", or "E4" (for error), call a service technician.



System Installation:

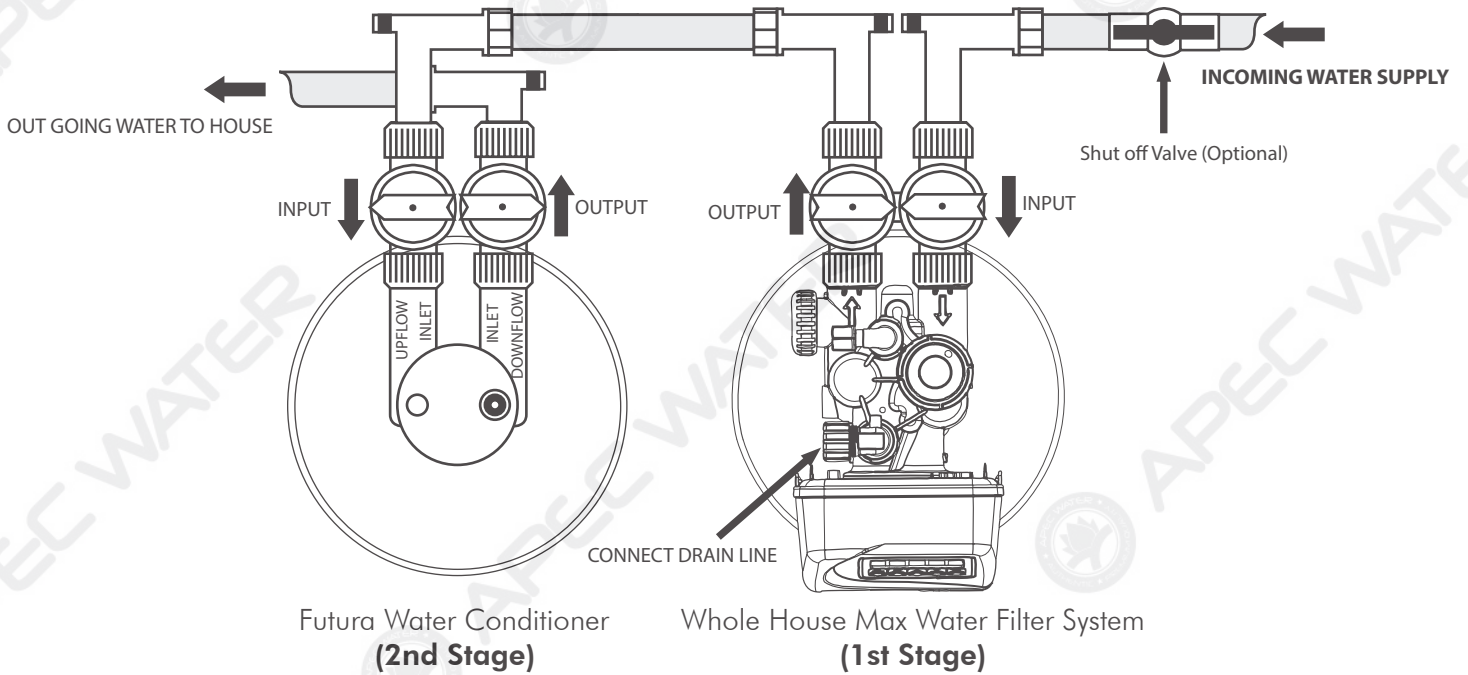
This is an overview for system installation.



Please Set Time of Day on Whole House Max Control head once installation is completed.

SHUTTING OFF WATER TO THE SYSTEM FOR MAINTENANCE

To **shut off water** to the system, please position arrow handles as shown in the bypass operation diagram below. If your valve doesn't look like the diagram below, contact your service technician for instructions on how to shut off water.



WARRANTY POLICY

Please refer to individual system manual for warranty coverage and details.

APEC WATER®

www.FreeDrinkingWater.com

301 Brea Canyon Road
City of Industry, CA 91789
1-800-880-4808

© This manual is copyrighted by APEC Inc. Under the copyright laws, this manual may not be reproduced in any form, in whole or part, without the prior written consent of APEC Inc.
Manual print Ver. 3.3, 2023 Nov.

